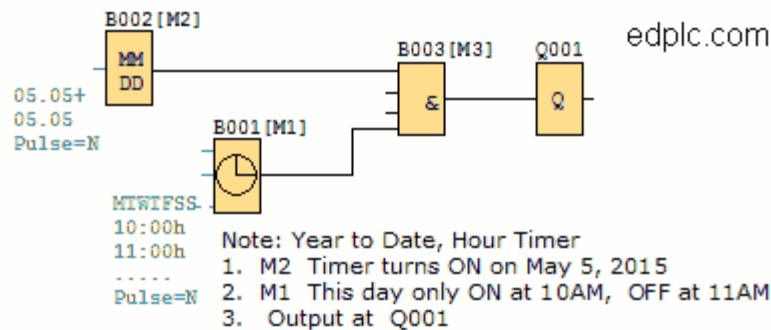


ELC Smart mini PLC Controller

EL Series PLC Programmable logic controller, for heavy duty automation applications, machine and process controls.

365 Days, Weeks, Days, Hours, Minutes, Multiple events. ON delay, OFF delay, Cyclic timers, Counters, All Logic functions, Latch, Sequence relays, Analog Compare, PID, Math and Boolean functions, Message text, etc. Simple and easy direct block programming IEC FBD



Stand alone mini plc controller

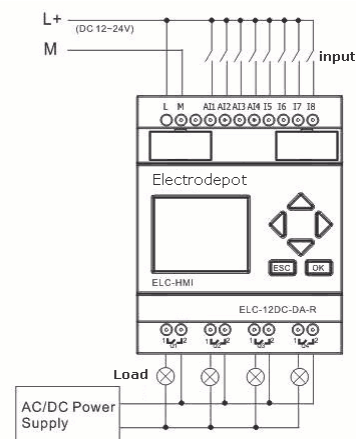
- HMI LCD display and keypad or LED status series
- Multiple time clocks, timers, counters, logic, gates..
- Programming with optional RS-232C or USB
- Built-in Real-Time Clock & Astronomical function
- Dry contact discrete DC or AC input
- Relay outputs, N/O 10Amp @ 250V Class 2 pilot duty
- 12VDC version Solar Ready low power drain 20mA
- Operation in 12, 24 VDC or 115/240VAC
- Selection from 6 I/O to 34 I/O, expandable
- Program password protected
- Expandable model up to 272 I/O

Basic & Advanced Automation

Analog and Digital inputs / outputs
Programming IEC 61131-3 standard
Programing, Simulation and Monitoring

Communication:
USB, RS232, RS485, Ethernet, Modbus-RTU

Application: Process control, Building automation, Transportation, Packing, Machine control, Boats, Pump controls, Lighting, Hydroponic, Alarms, Robots



edplc.com

Distributed By: